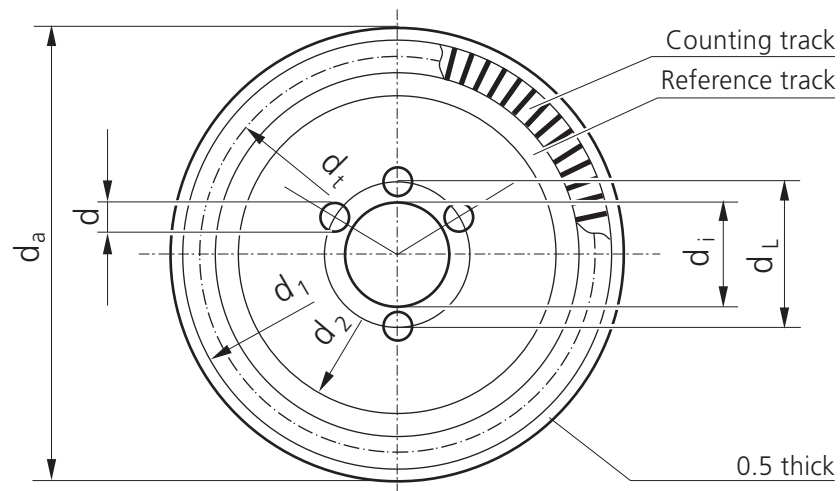


Grating disks available



Type	d_a	d_t	d_i	d_1	d_2	d_L	d	Z*
RS 40.4/10/1800	46 $\begin{smallmatrix} -0.2 \\ -0.5 \end{smallmatrix}$	40.4	10^{M5}	44	32	14.5	2.3	1800
RS 40.4/10/2048	46 $\begin{smallmatrix} -0.2 \\ -0.5 \end{smallmatrix}$	40.4	10^{M5}	44	32	14.5	2.3	2048
RS 40.4/10/3600	46 $\begin{smallmatrix} -0.2 \\ -0.5 \end{smallmatrix}$	40.4	10^{M5}	44	32	14.5	2.3	3600
RS 40.4/25/1800	46 $\begin{smallmatrix} -0.2 \\ -0.5 \end{smallmatrix}$	40.4	25 +0.1	44	32	–	–	1800
RS 40.4/25/2048	46 $\begin{smallmatrix} -0.2 \\ -0.5 \end{smallmatrix}$	40.4	25 +0.1	44	32	–	–	2048
RS 40.4/25/3600	46 $\begin{smallmatrix} -0.2 \\ -0.5 \end{smallmatrix}$	40.4	25 +0.1	44	32	–	–	3600
RS 64.4/48.5/2048	71,5 $\begin{smallmatrix} -0.2 \\ -0.5 \end{smallmatrix}$	64.4	48.5 +0.1	68	56	–	–	2048
RS 64.4/48.5/9000	71,5 $\begin{smallmatrix} -0.2 \\ -0.5 \end{smallmatrix}$	64.4	48.5 +0.1	68	56	–	–	9000
RS 64.4/48.5/10000	71,5 $\begin{smallmatrix} -0.2 \\ -0.5 \end{smallmatrix}$	64.4	48.5 +0.1	68	56	–	–	10000
RS 92.4/70/3600	100 $\begin{smallmatrix} -0.2 \\ -0.5 \end{smallmatrix}$	92.4	70 +0.1	96	84	–	–	3600
RS 92.4/70/9000	100 $\begin{smallmatrix} -0.2 \\ -0.5 \end{smallmatrix}$	92.4	70 +0.1	96	84	–	–	9000
RS 92.4/70/18000	100 $\begin{smallmatrix} -0.2 \\ -0.5 \end{smallmatrix}$	92.4	70 +0.1	96	84	–	–	18000
RS 142.4/120/5400	150 $\begin{smallmatrix} -0.2 \\ -0.5 \end{smallmatrix}$	142.4	120 +0.2	146	134	–	–	5400
RS 142.4/120/18000	150 $\begin{smallmatrix} -0.2 \\ -0.5 \end{smallmatrix}$	142.4	120 +0.2	146	134	–	–	18000

*) Number of lines of the grating disk