



LIK 21 LIK 22 LIK 23

Exposed Linear Encoders
compact model range

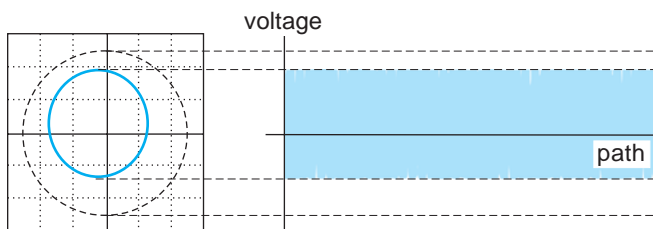
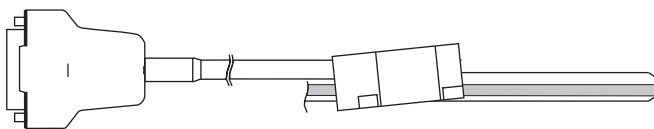
Exposed Linear Encoders- compact model range LIK 21 LIK 22 LIK 23

- Extremely small dimensions of scanning head for crowded installation conditions
- High insensitivity to contamination of scale tapes due to two optical sensors in the scanning head
- High resolution and accuracy
- High interpolation accuracy due to electronic offset and amplitude control
- Signal processing in the D-Sub-connector

- Integrated signal interpolation up to 100x in the connector
- Optional with installation LED
- Wide mounting tolerances
- Defined thermal behavior of the DOUBLEFLEX scale tape
- Mechanical decoupled DOUBLEFLEX scale tape
- Simple mounting of the scale tapes because of double-side adhesive tapes

Dynamic offset and amplitude control

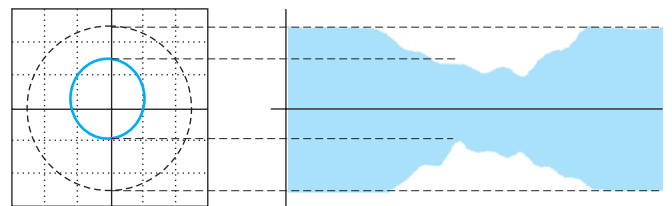
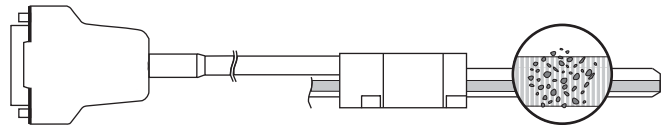
Incorrect mounting



Lissajous-figure:

$$U_{\sin} ; U_{\cos}$$

Contaminated scale tape

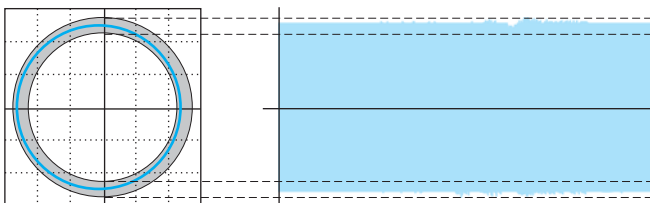


Contamination and mounting errors lead to interferences in the optical scanning of the scale by the scanning head and so to periodic deformations of the sinusoidal counting track signals.

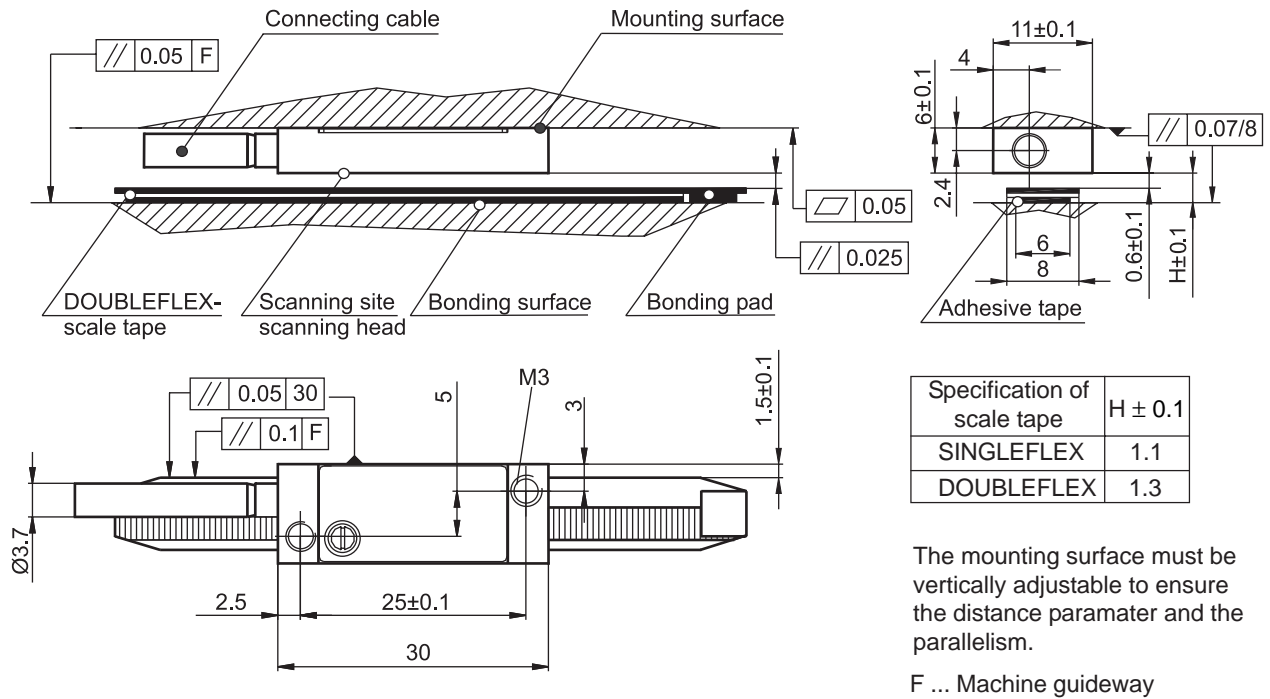
These deformations manifest themselves as

- offset deviations and
- amplitude deviations, as well as
- amplitude differences between the sine and cosine channel and lead to interpolation errors.

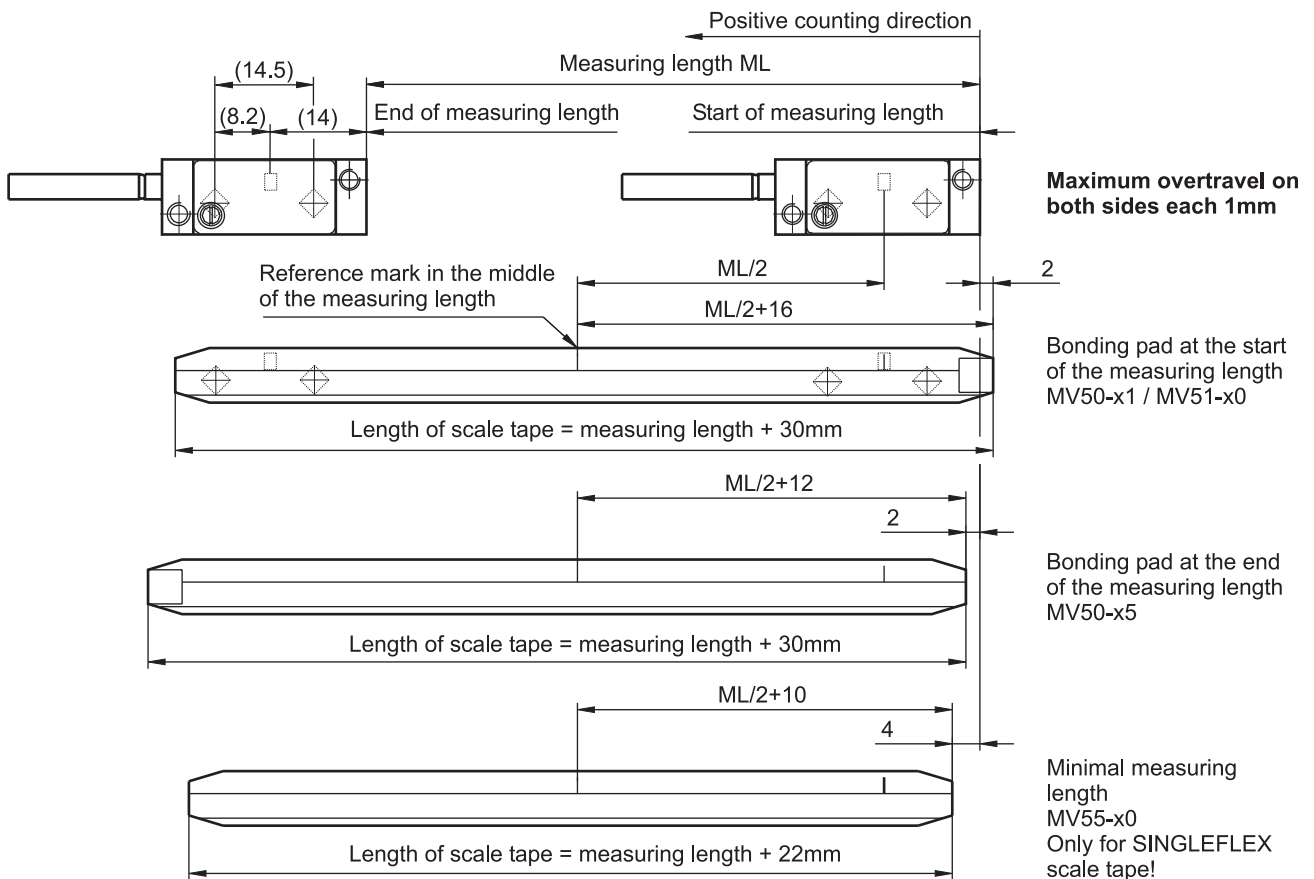
Scanning signal after offset and amplitude correction

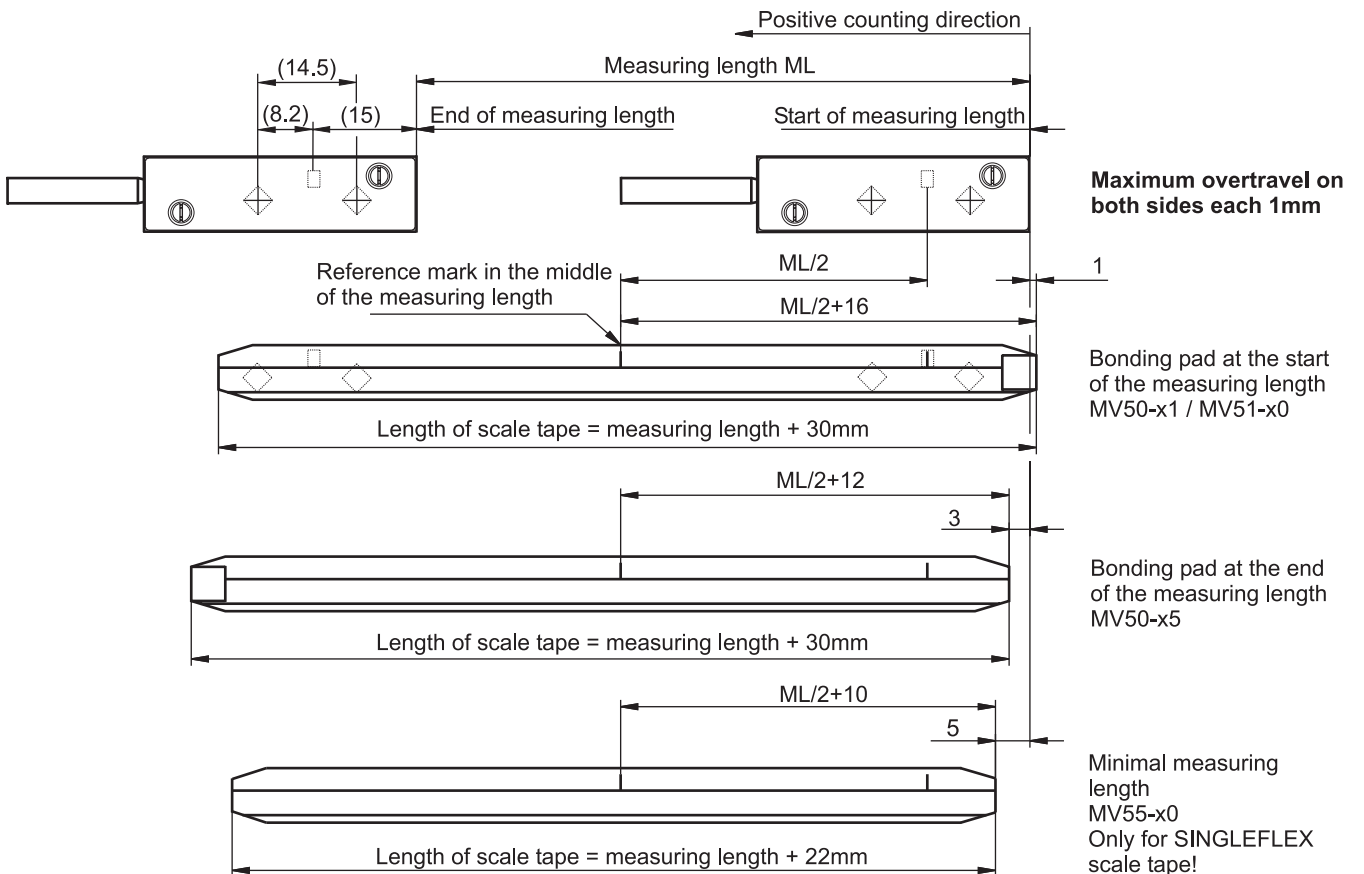
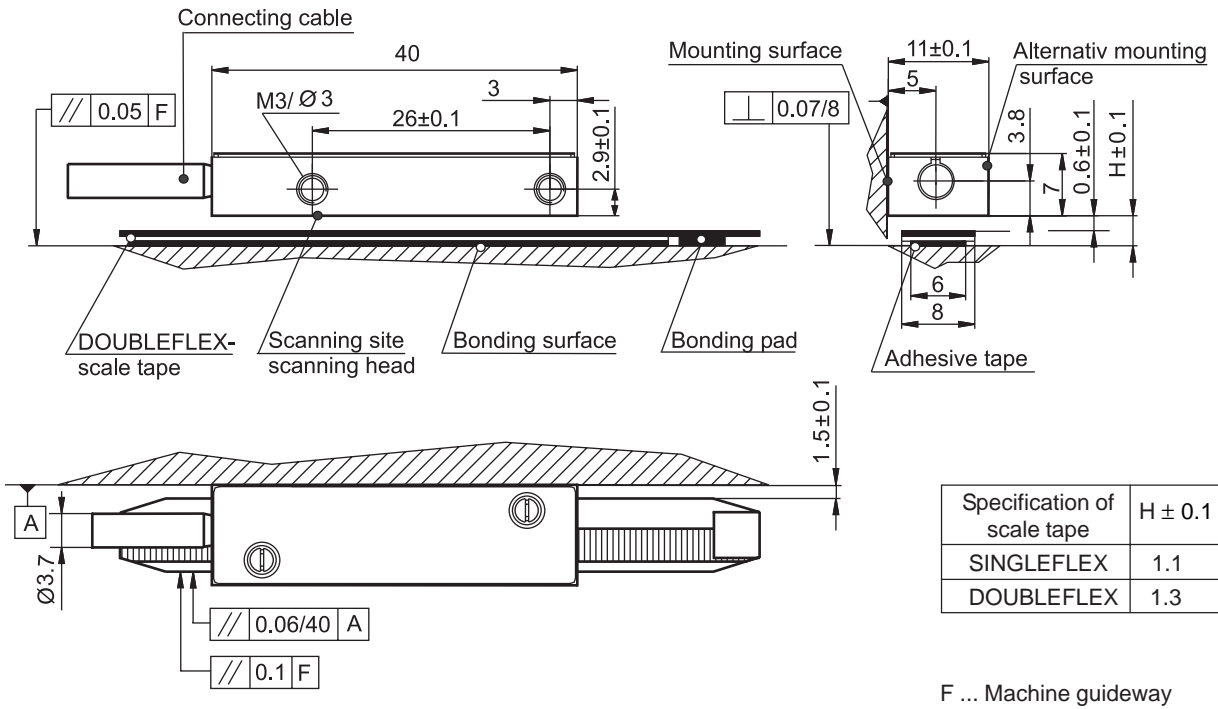


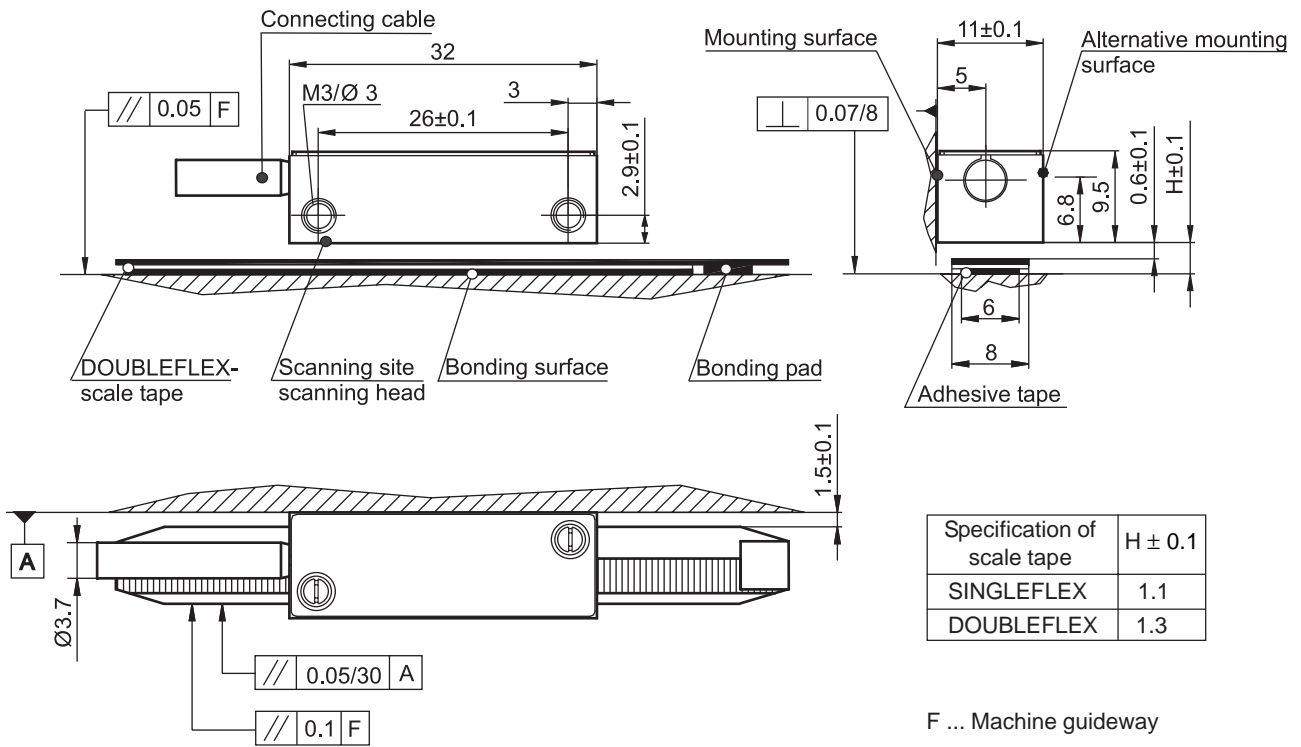
The signals generated by the measuring module are automatically corrected within the sensor without following error over the entire velocity range. This measure not only increases the accuracy, but also the reliability of the encoder.



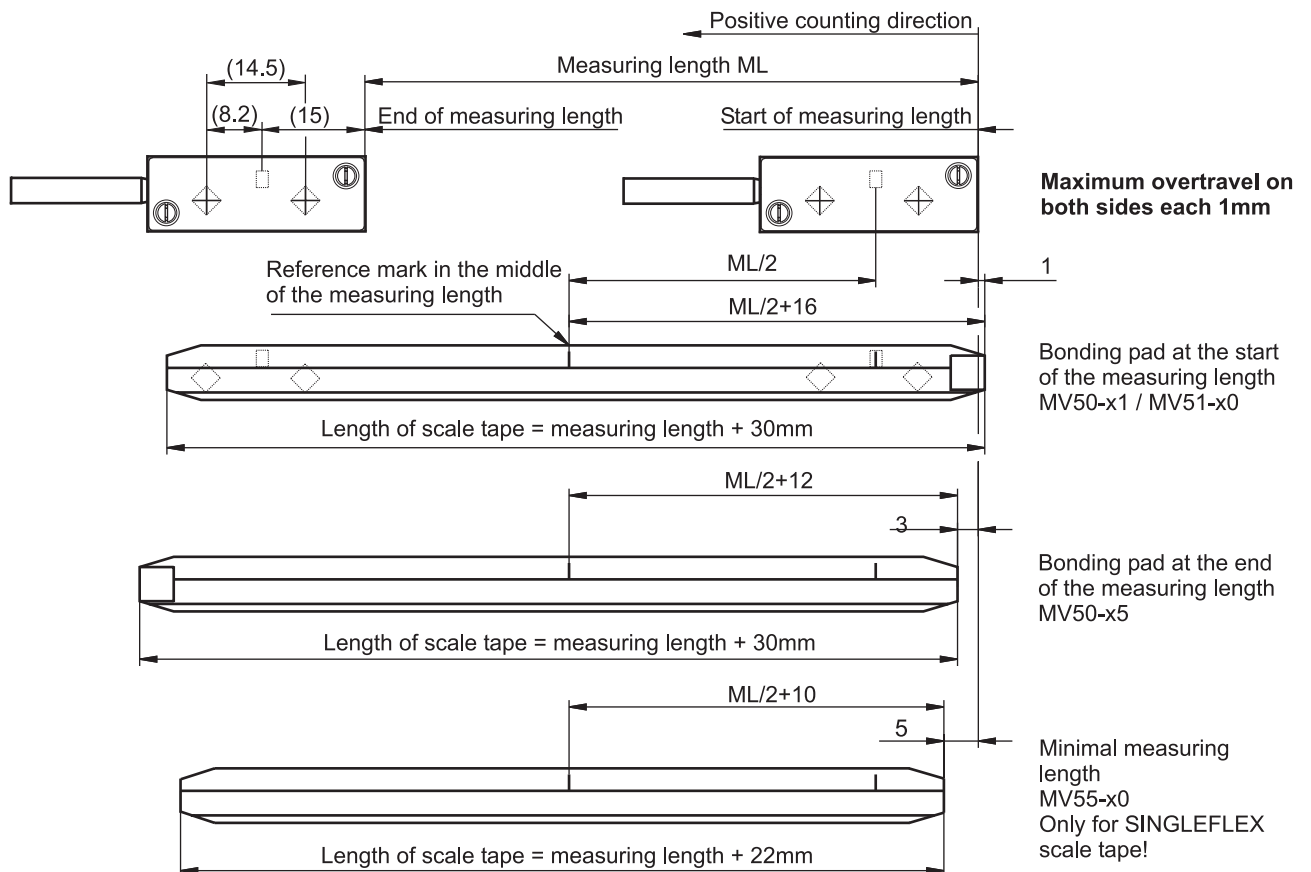
Allocation of scanning head, scale tape and measuring length





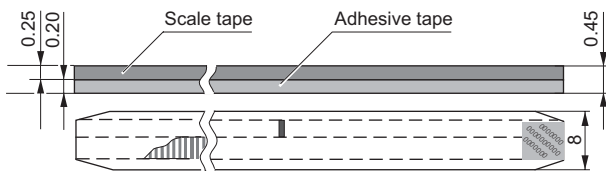


Allocation of scanning head, scale tape and measuring length



SINGLEFLEX scale tape

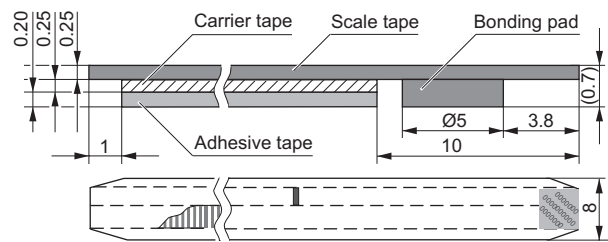
always without bonding pad



Preferentially used for:

- Scale tape carrier with thermal expansion behavior same as steel ($\alpha \approx 10,5 \times 10^{-6} \text{ grad}^{-1}$)
- Low accuracy requirements

DOUBLEFLEX scale tape



Mechanical isolation of the scale tape from the scale tape carrier; this results in defined thermal behavior.

Preferentially used for:

- Carrier materials with thermal expansion behavior different from steel
- Measuring lengths from 100 mm
- High accuracy requirements

Technical data

		LIK 21	LIK 22	LIK 23
Mechanical data	Scanning head dimensions [mm]	30 x 11 x 6	40 x 11 x 7	32 x 11 x 9,5
	Weight of scanning head (without cable)	3.2 g	5.5 g	5.0 g
	Recommended resolution	0.05 µm; 0.1 µm; 0.2 µm; 0.5 µm; 1.0 µm; 5.0 µm		
	Travel speed	600 m/min resp. 10 m/s		
	- without interpolation (maximum)	96 m/min resp. 1.6 m/s		
	- with 50x interpolation (maximum)	up to 30 m		
	Measuring length	steel		
	Scale tape	20 µm standard		
	- Material	- periodically every 50 mm, starting from the middle of the measuring length		
	- Grating period (GP)	- distance coded at 1000 x GP		
- Reference marks	- at the center of the measuring length			
		- others on request		
	Linear expansion coefficient	10.5 x 10 ⁻⁶ deg ⁻¹		
	- DOUBLEFLEX- scale tape	as function of material of the mounting surface		
	- SINGELFLEX- scale tape			
	Accuracy classes	±1 µm; ±2 µm; ±3 µm; ±5 µm		
	- DOUBLEFLEX- scale tape	±5 µm; other on request		
	- SINGELFLEX- scale tape			
Electrical data	Scanning frequency	max. 500 kHz		
	Output interfaces and connectors			
	Voltage output	1V _{pp} / 15 pin D-Sub-connector		
	Square wave output (RS 422)	RS 422 with interpolation up to 50x / 15pin D-Sub-connector		
	Supply voltage	5V DC ±10%		
	Power consumption			
	Voltage output	80 mA ¹⁾ ; 100mA ²⁾		
	Square wave output	200 mA ¹⁾ ; 220 mA ²⁾		
		1)...without installation-LED; 2)...with installation-LED		
	Cable lengths	up to 3 m (standard lengths: 0.3 m; 0.5 m; 1 m; 1,5 m; 2 m; 3 m)		
Cable permanently connected to the scanning head	max. 100 m with extension cable			
Permissible total cable length (with extension cable)				
Cables` permissible bending radius	bent once: 8 mm ; moving constantly: 40 mm			
Ambient conditions	Operating temperature range	0°C ... 55°C		
	Storage temperature range	-20°C ... +70°C		
	Vibration (50Hz ... 2000Hz)	≤ 200ms ⁻²		
	Shock (11ms)	≤ 400ms ⁻²		
	Humidity	93% (no condensing)		

Ordering key for scanning head

LIK 2 1 - L 4 1 - T Z **Designation example**

Sensor

2	Two field sensor
---	------------------

Dimension (mm)

1	30 x 11 x 6 mm ³
2	40 x 11 x 7 mm ³
3	32 x 11 x 9.5 mm ³

Grating period

-	20 µm
---	-------

Output signals

C	sinusoidal signal 1 V _{pp}
L	square wave signal RS 422 with 5x interpolator
M	square wave signal RS 422 with 10x interpolator
I	square wave signal RS 422 with 25x interpolator
N	square wave signal RS 422 with 50x interpolator
P	square wave signal RS 422 with 100x interpolator

Frequency/ Edge separation

X	distinguishing mark for clock frequency of counter on request (only valid for versions with interpolation)
---	--

Connectors on cable

Z*	15pin D Sub;electronics in the connector
----	--

Cable fixed to the scanning head (Ø 3.7 mm)

R	0.3 m
S	0.5 m
T	1 m
P	1,5 m
V	2 m
W	3 m
U ¹	other length on request (length max. 3 m)

Version

-	standard
3 ¹	non- magnetic scanning head
K	set-up- LED in the connector
N ¹	non- magnetic scanning head; set-up- LED in the connector

Installation conditions

2	thread M3 in the scanning head
1 ²	bore Ø 3 in the scanning head

1 ... supplied with surcharge 2 ... only for LIK 22 and LIK 23

* 15pin D Sub connector- Pin assignment

Pin	1	2	3	4	5	6	7	8	9	10	11	12	13	14	15	Housing
1V _{SS}	-	-	-	U ₀₋	U ₂₋	U ₁₋	-	5V	0V	-	-	U ₀₊	U ₂₊	U ₁₊	-	Shield
RS 422	-	-	NAS	R-	B-	A-	-	5V	0V	-	AS	R+	B+	A+	-	Shield
Colour	-	-	vt	pk	rd	bn	-	bu	wh	-	-	gy	bk	gn	-	

Ordering key for scale tapes

MV 5 0 - 1 1 B P 00770 **Designation example**

Material

5	steel tape/ double array sensor
---	---------------------------------

Design type

0	DOUBLEFLEX, standard ³
1	SINGLEFLEX, standard
5	minimal measuring length with reference mark ^{1,4}

Accuracy class

1	± 1 µm
2	± 2 µm
3	± 3 µm
4	± 5 µm

Position of bonding pad/ construction

0	none ¹
1	bonding pad at the start of measuring length ²
3	without adhesive tape
5**	bonding pad at the end of measuring length ²

measuring length (ML) [mm]

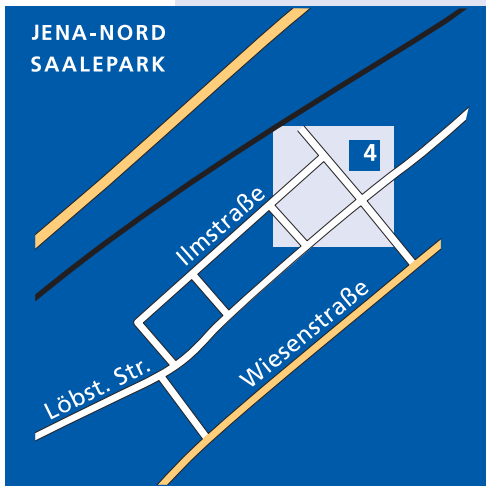
Grating period

P	20 µm
---	-------

Position of reference mark (RM)

O	none
B	RM in the center of the measuring length
F	RM distance coded at 1000 * GP ⁵
N	RM at 50 mm spacings, starting at the center of measuring length
E**	customized version ⁶

1 ... only for SINGLEFLEX scale tape
2 ... only for DOUBLEFLEX scale tape
3 ... minimal measuring length of DOUBLEFLEX scale tape= 100 mm
maximal measuring length of DOUBLEFLEX scale tape= 7300 mm
4 ... measuring length + 22 mm
5 ... maximal measuring length= 8000mm
6 ... specified in XXX mm from start of measuring length
**... no standard, supplied with surcharge



NUMERIK JENA GmbH
 Ilmstraße 4
 D-07743 Jena
 Germany
 Telephone ++49 3641 47 28 21
 Fax ++49 3641 47 28 20
 E-mail info@numerikjena.de
 Internet www.numerikjena.de

